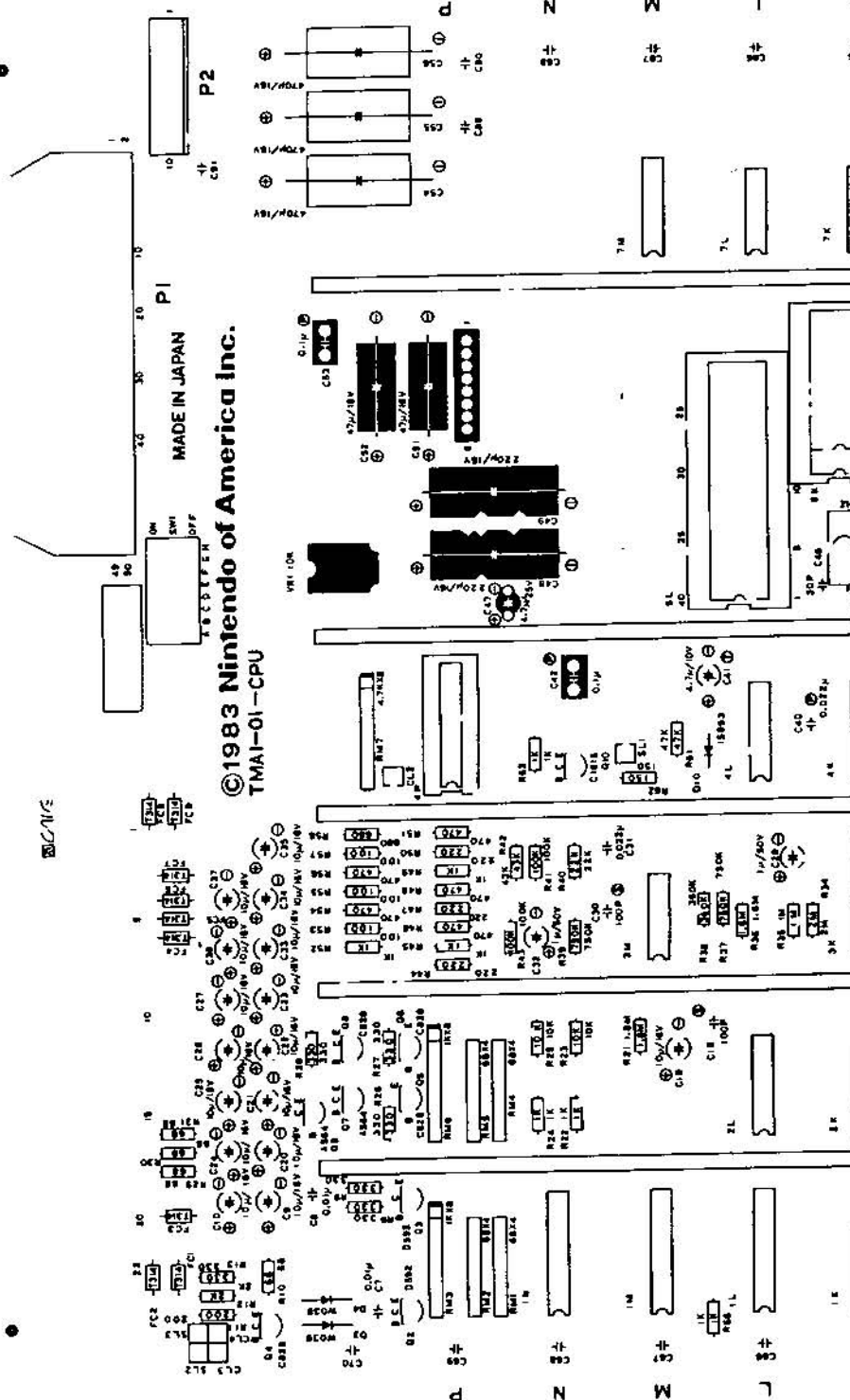


**A** TMA1-CPU ASSEMBLY  
 ©1983 Nintendo of America Inc.

BC/NICE

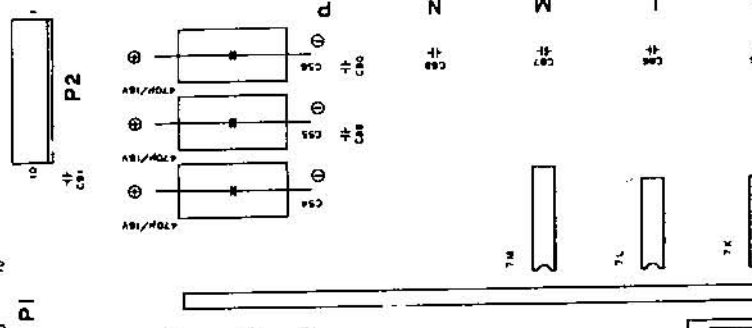
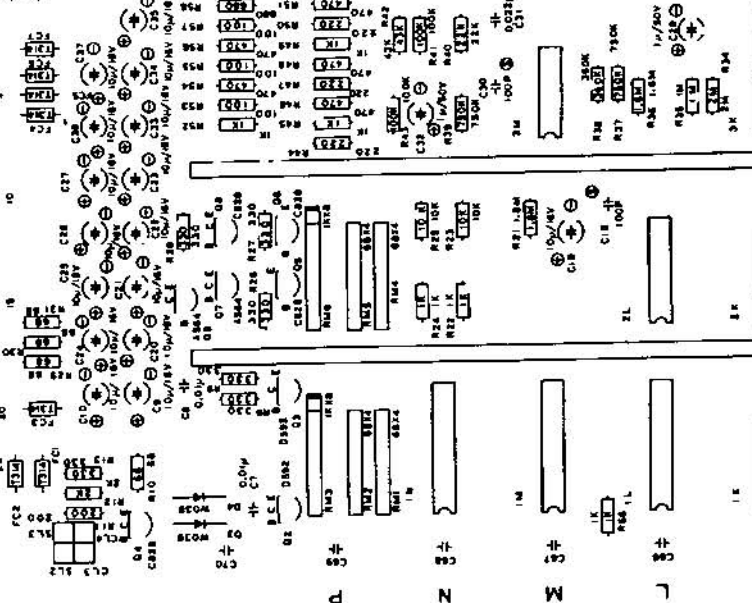


©1983 Nintendo of America Inc.  
TMAI-01-CPU

MADE IN JAPAN

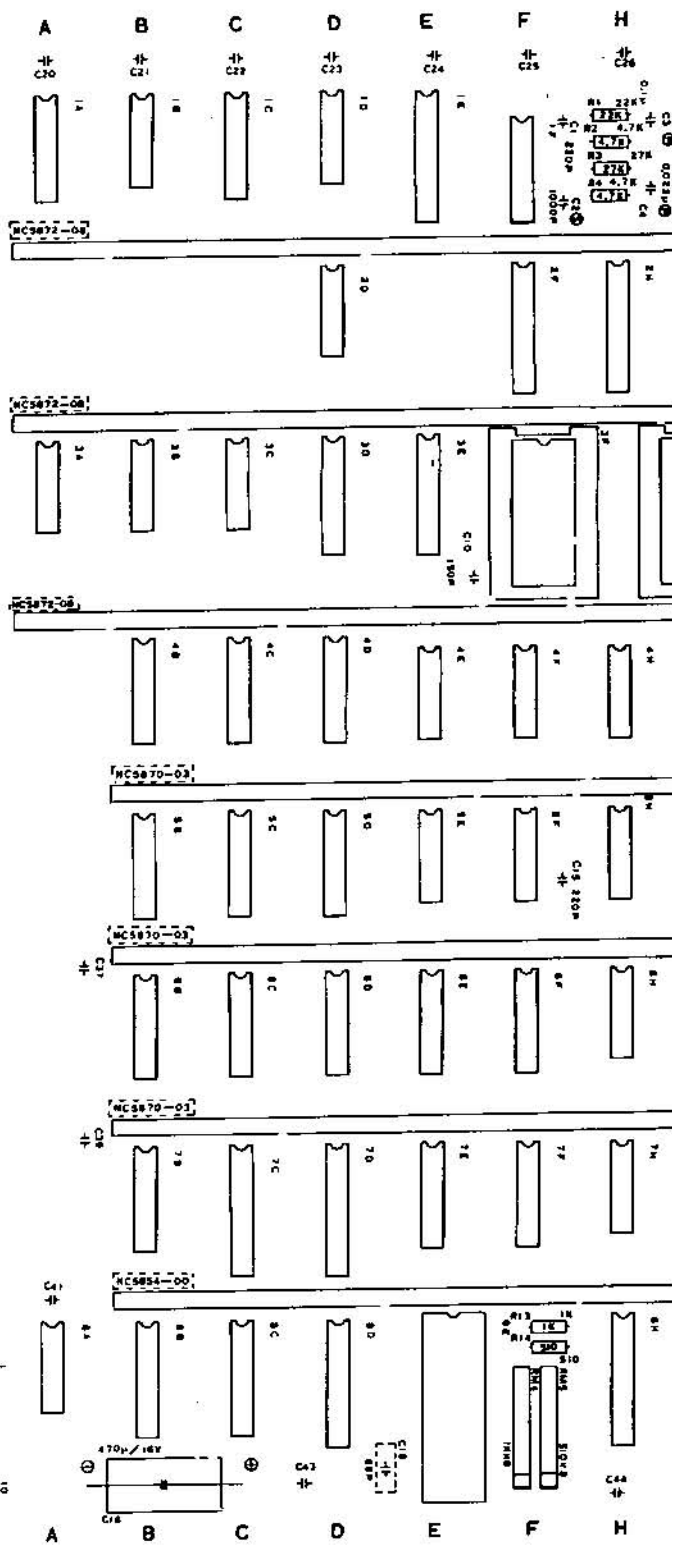
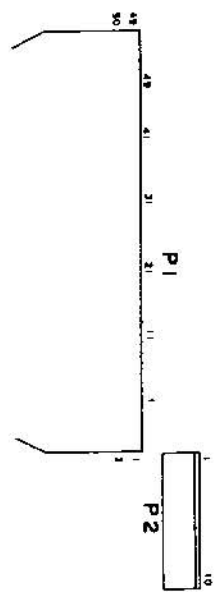
TESTER  
ON OFF

FC2  
FC1  
FC3

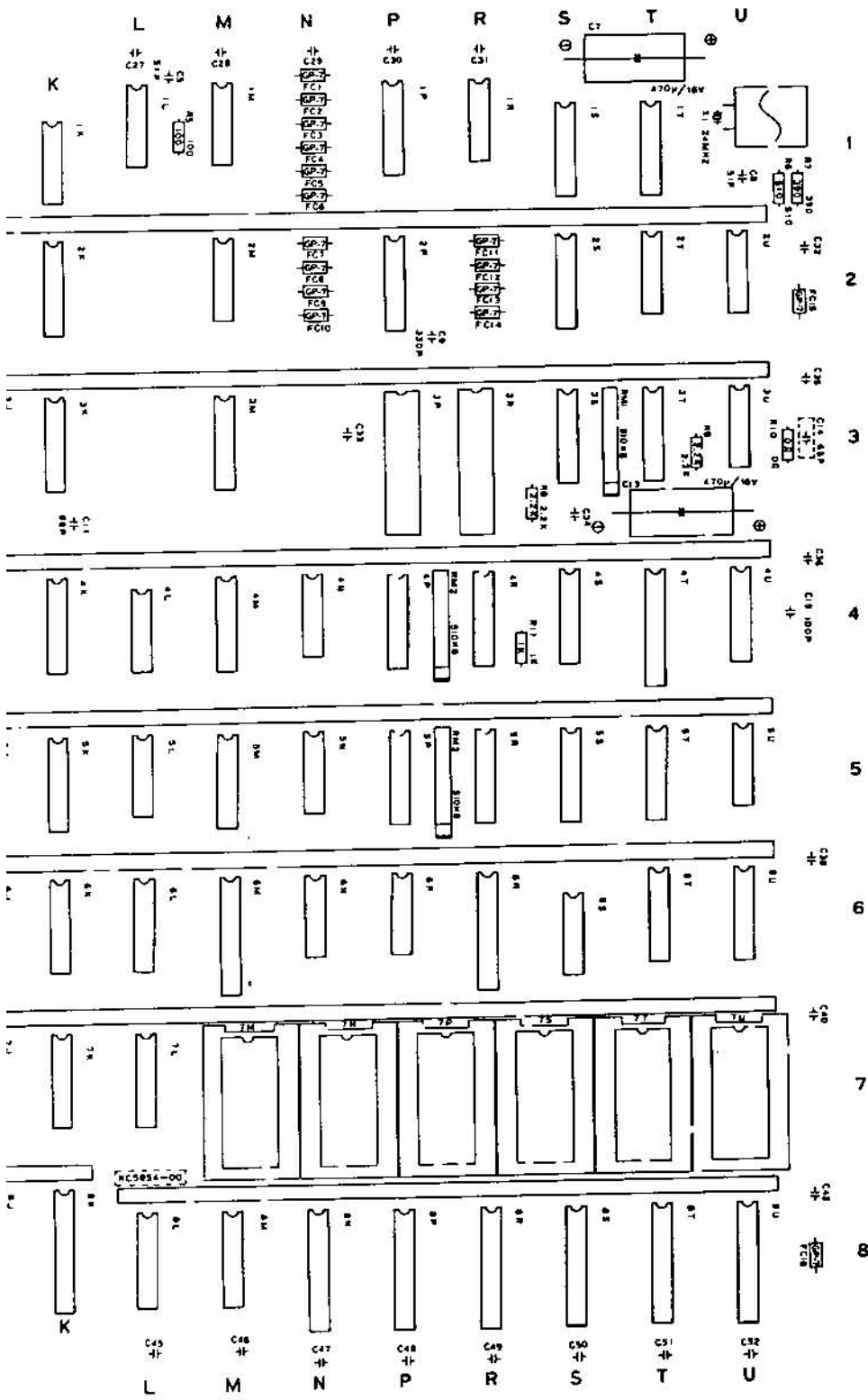




©1983 Nintendo of America Inc.  
TMA1-01 - VIDEO MADE IN JAPAN



**B** TMA1-VIDEO ASSEMBLY  
©1983 Nintendo of America Inc.



1

2

3

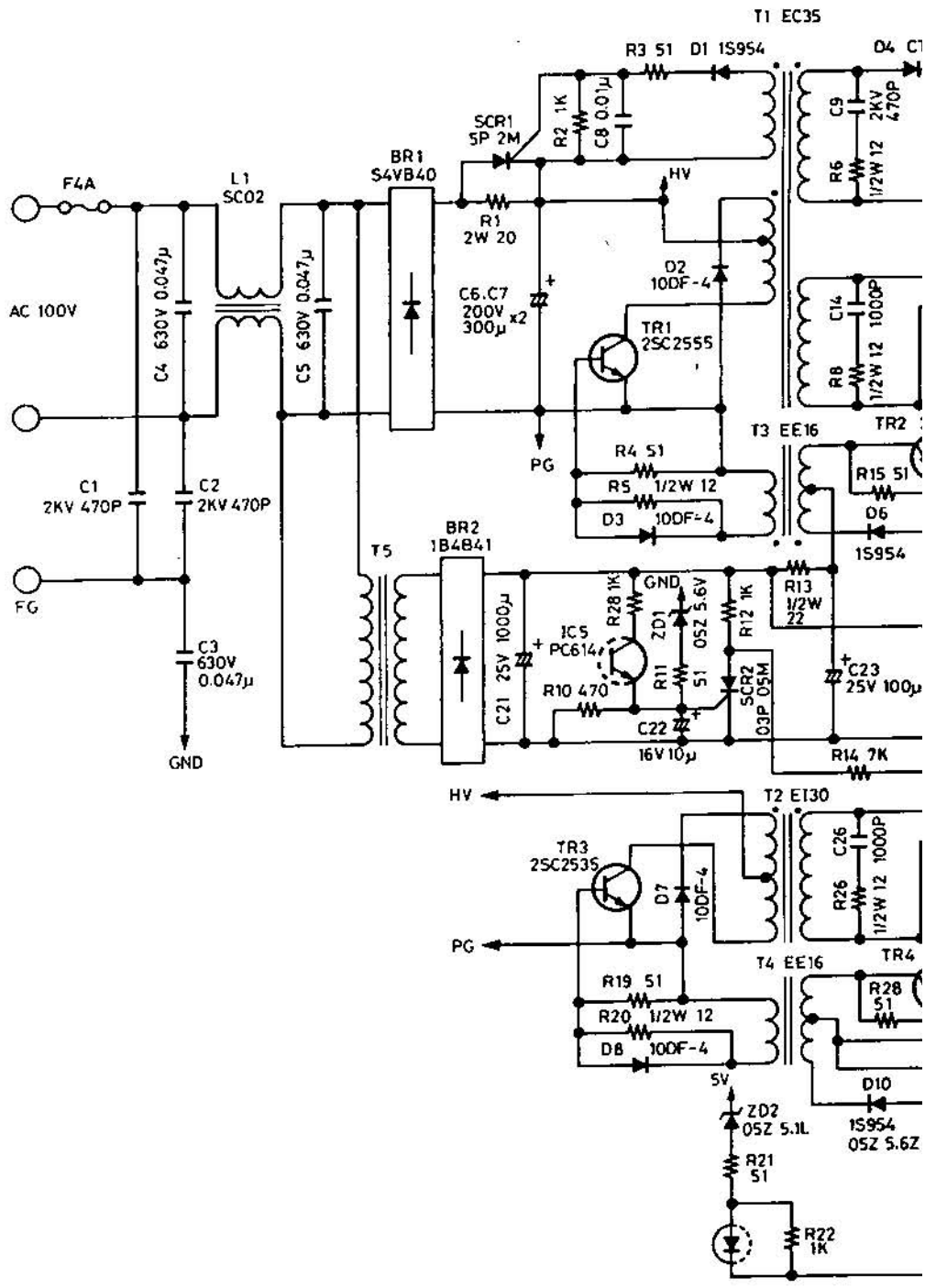
4

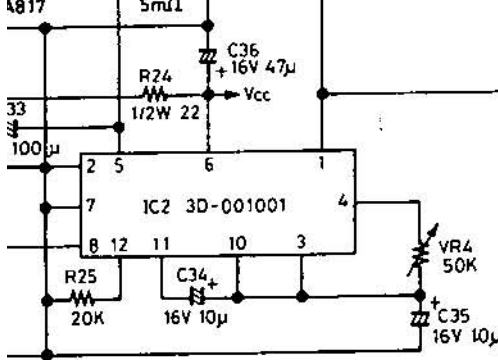
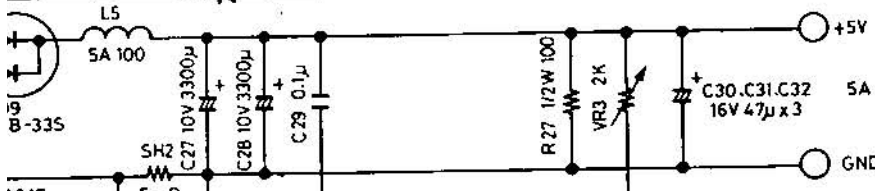
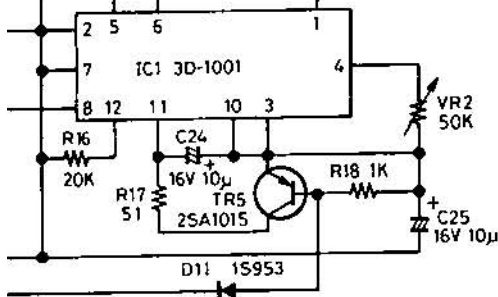
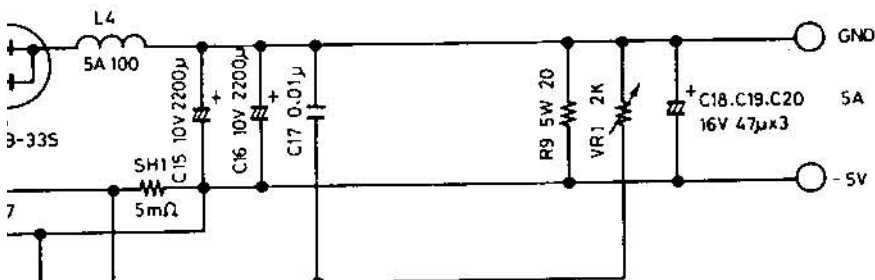
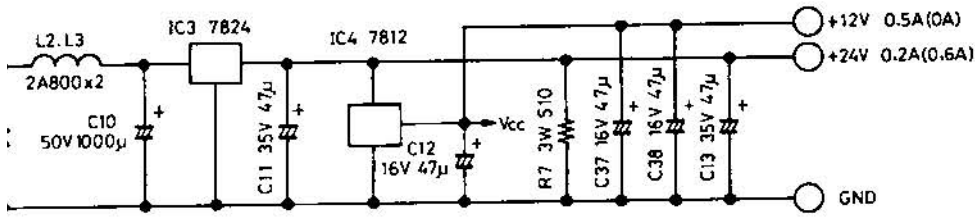
5

6

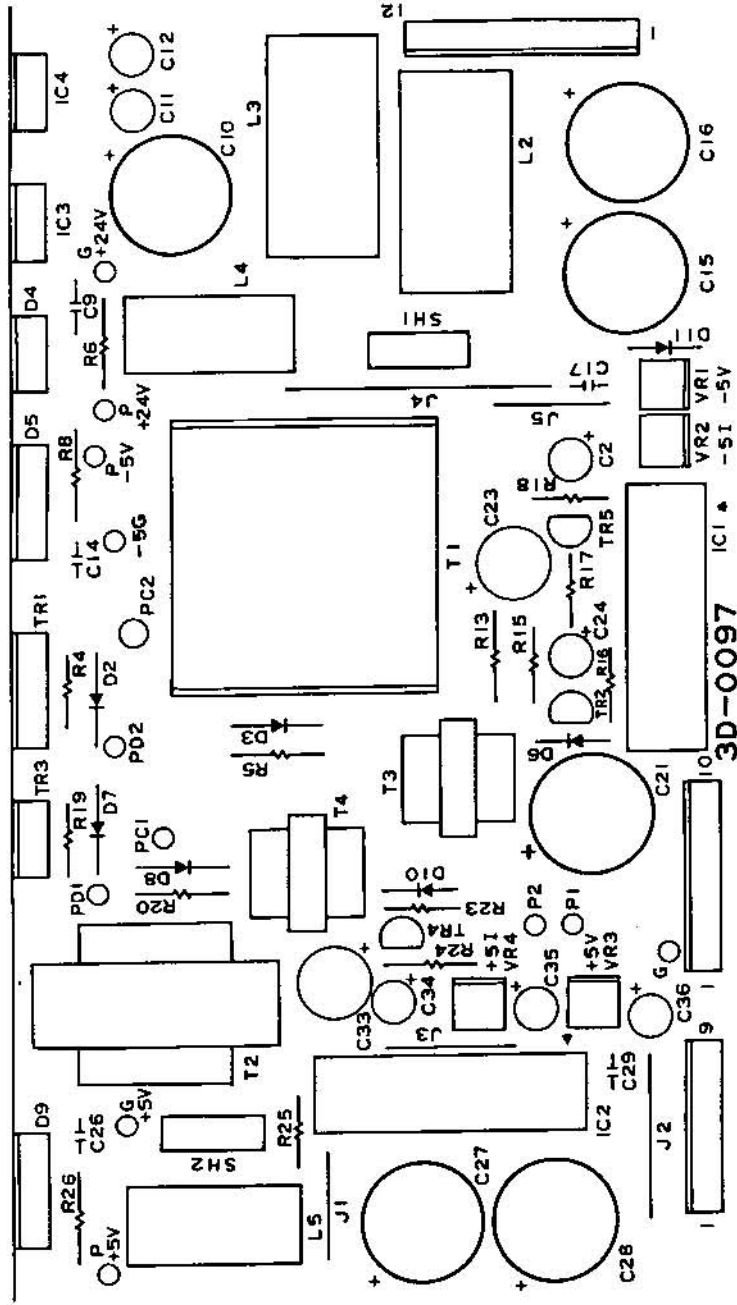
7

8

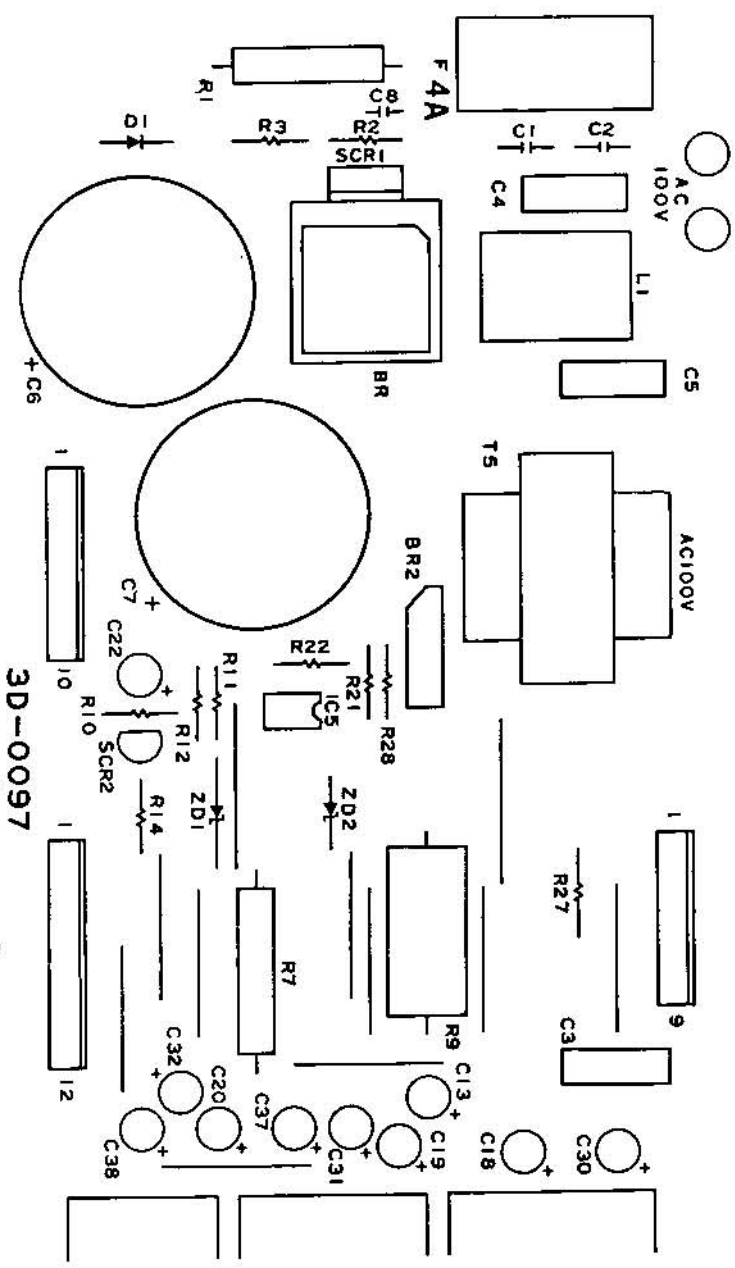




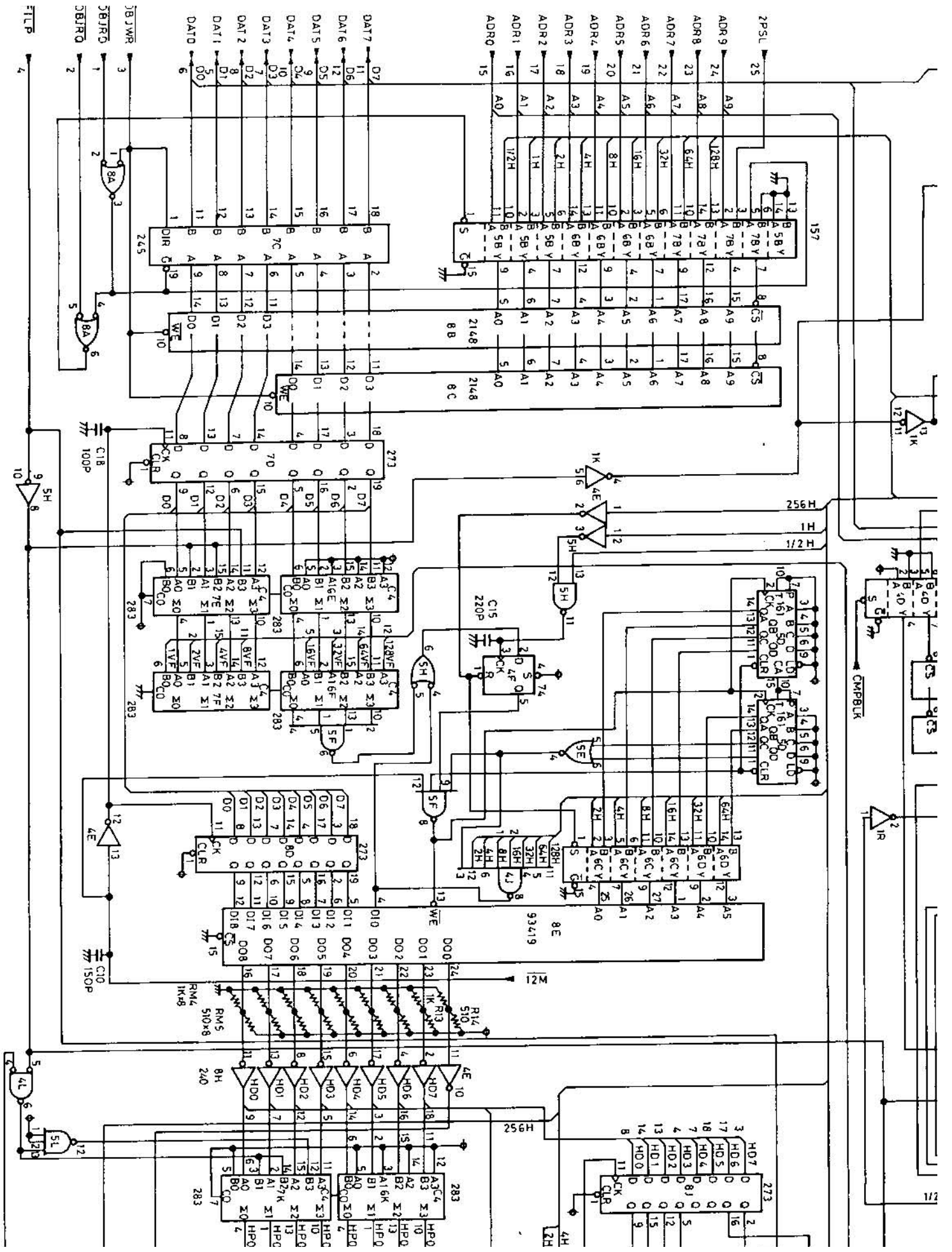
PP-7B POWER SUPPLY SCHEMATIC  
©1983 Nintendo of America Inc.

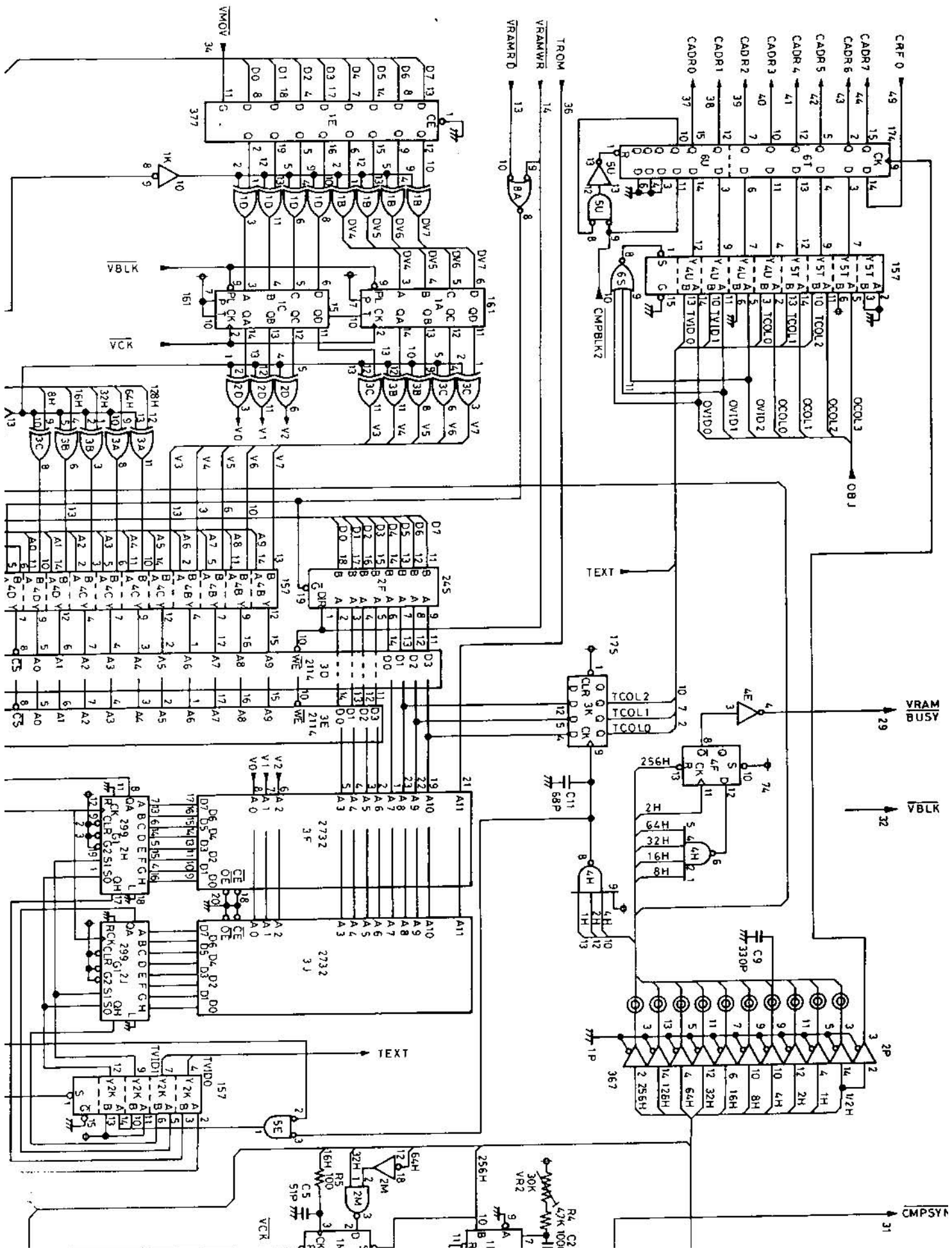


**D** PP-7B POWER SUPPLY ASSEMBLY  
 ©1983 Nintendo of America Inc.

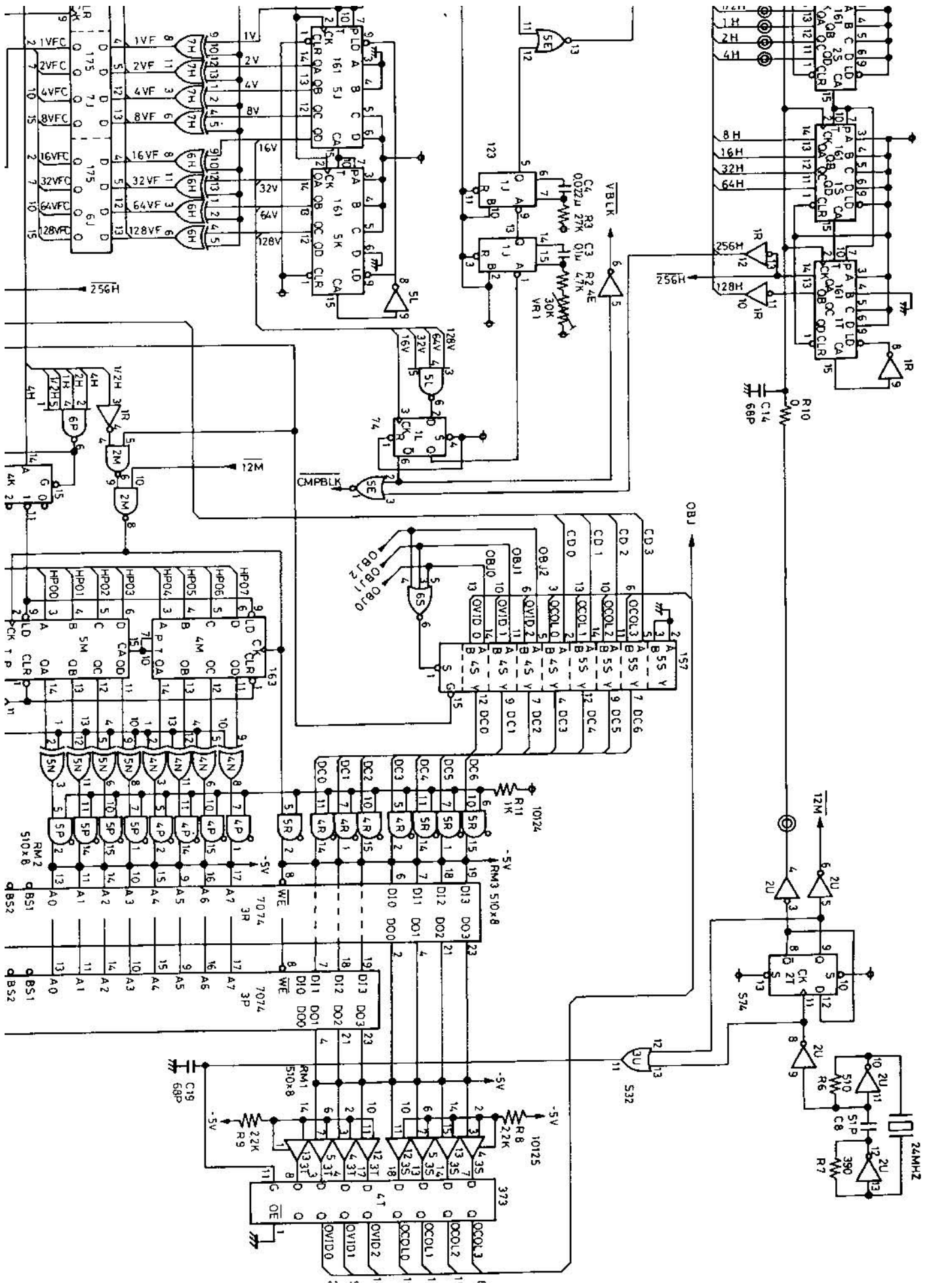


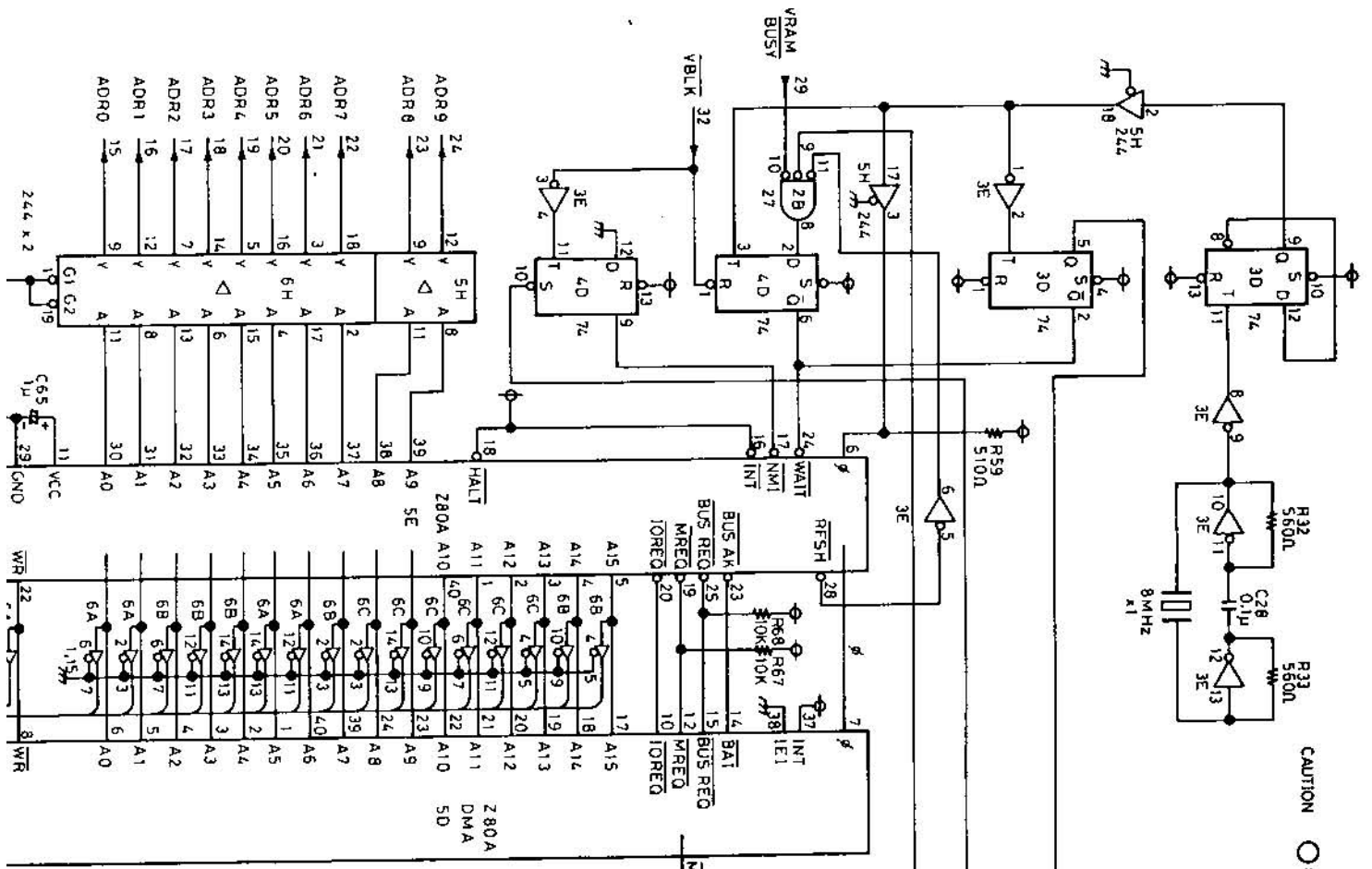


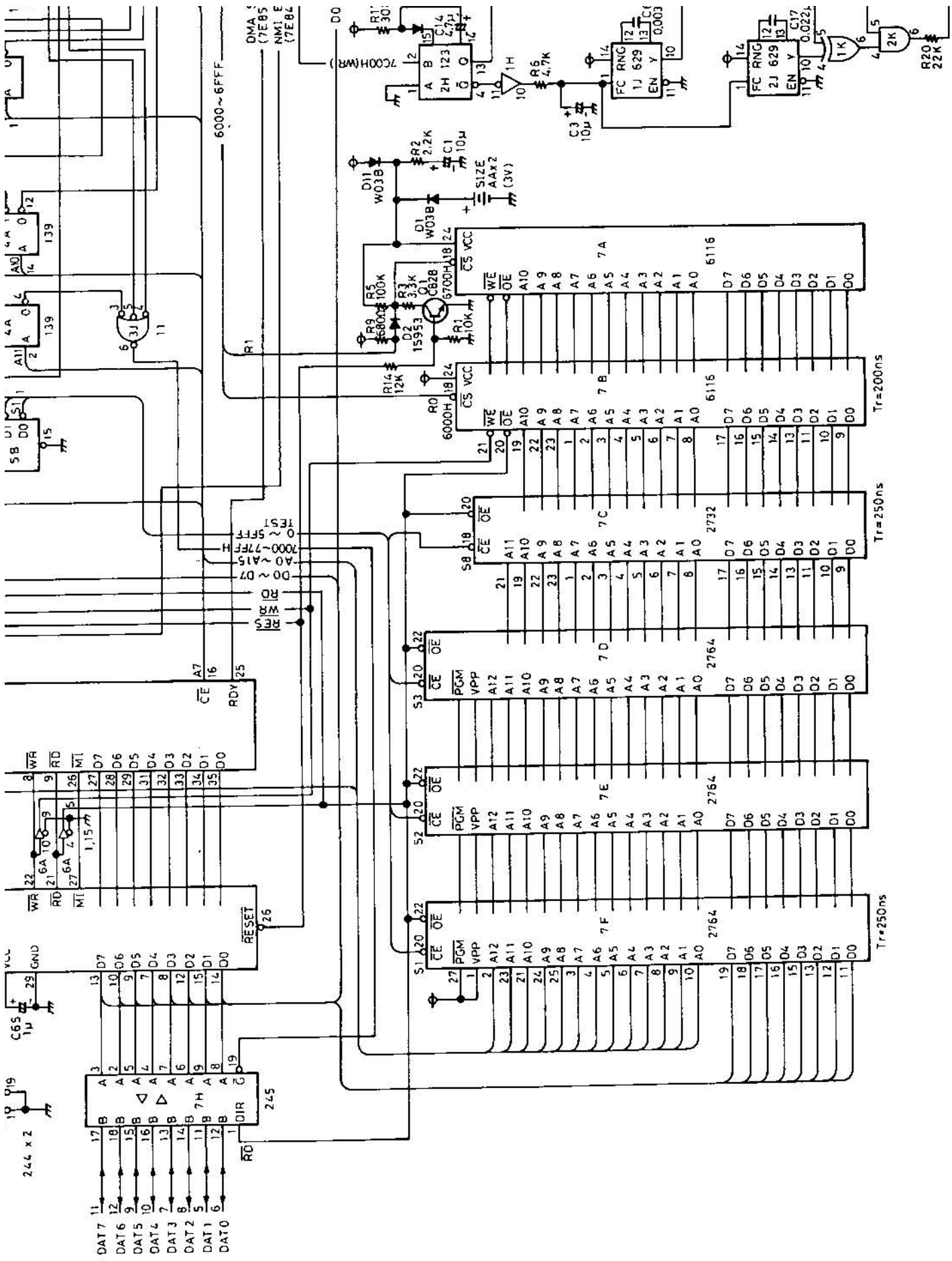




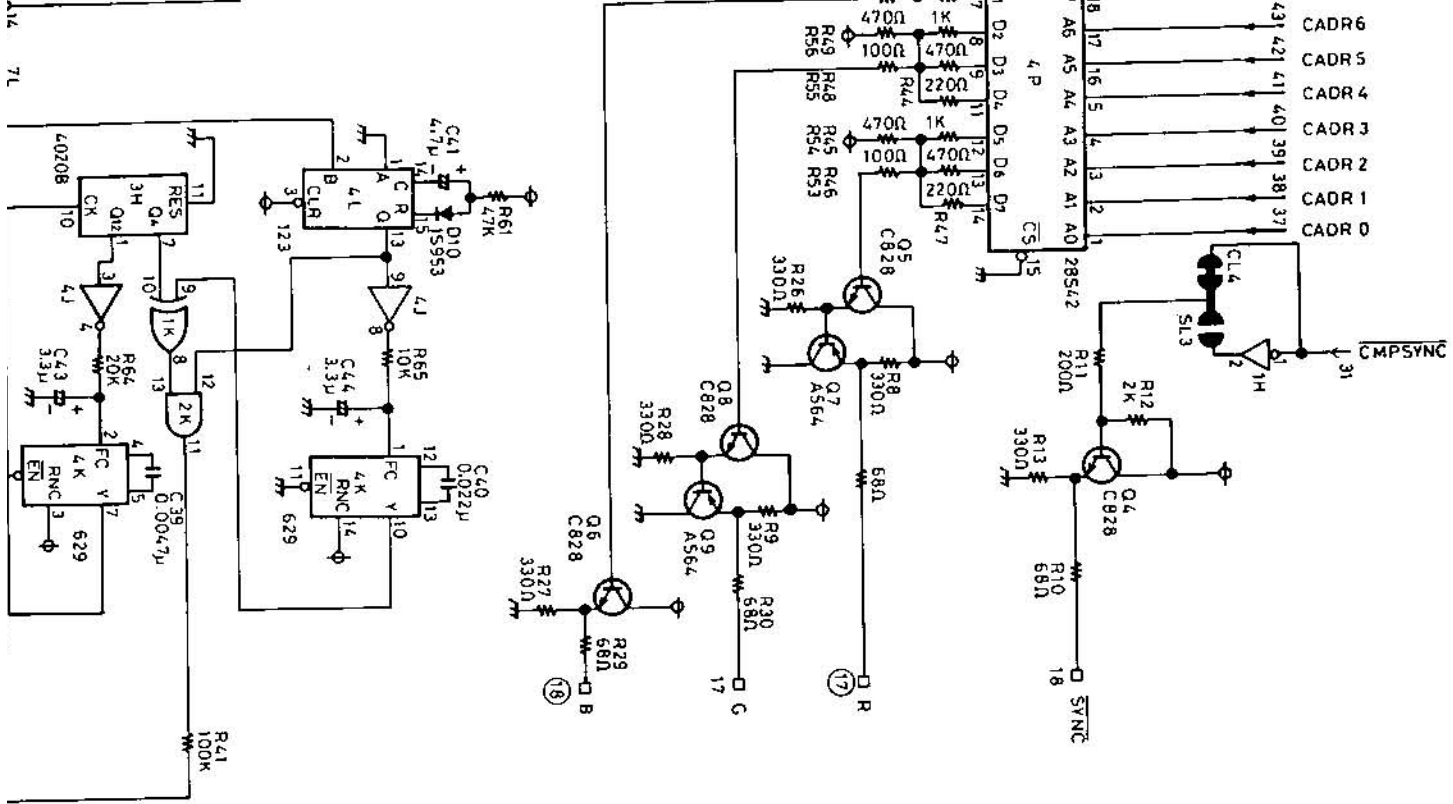
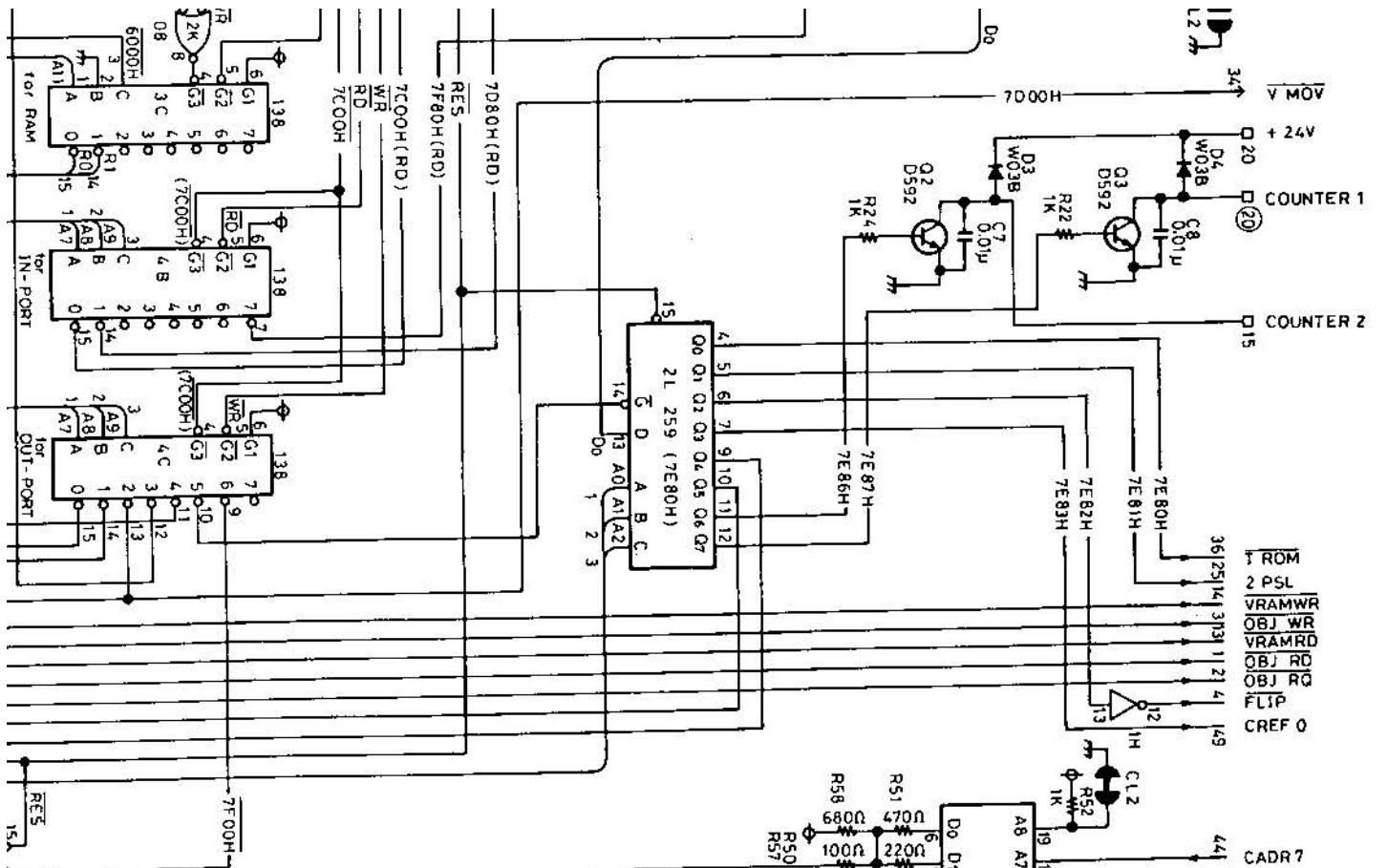












- 1 ROM
- 2 PSL
- VRAMWR
- OBJ WR
- VRAMRD
- OBJ RD
- OBJ RQ
- FLIP
- CREFO

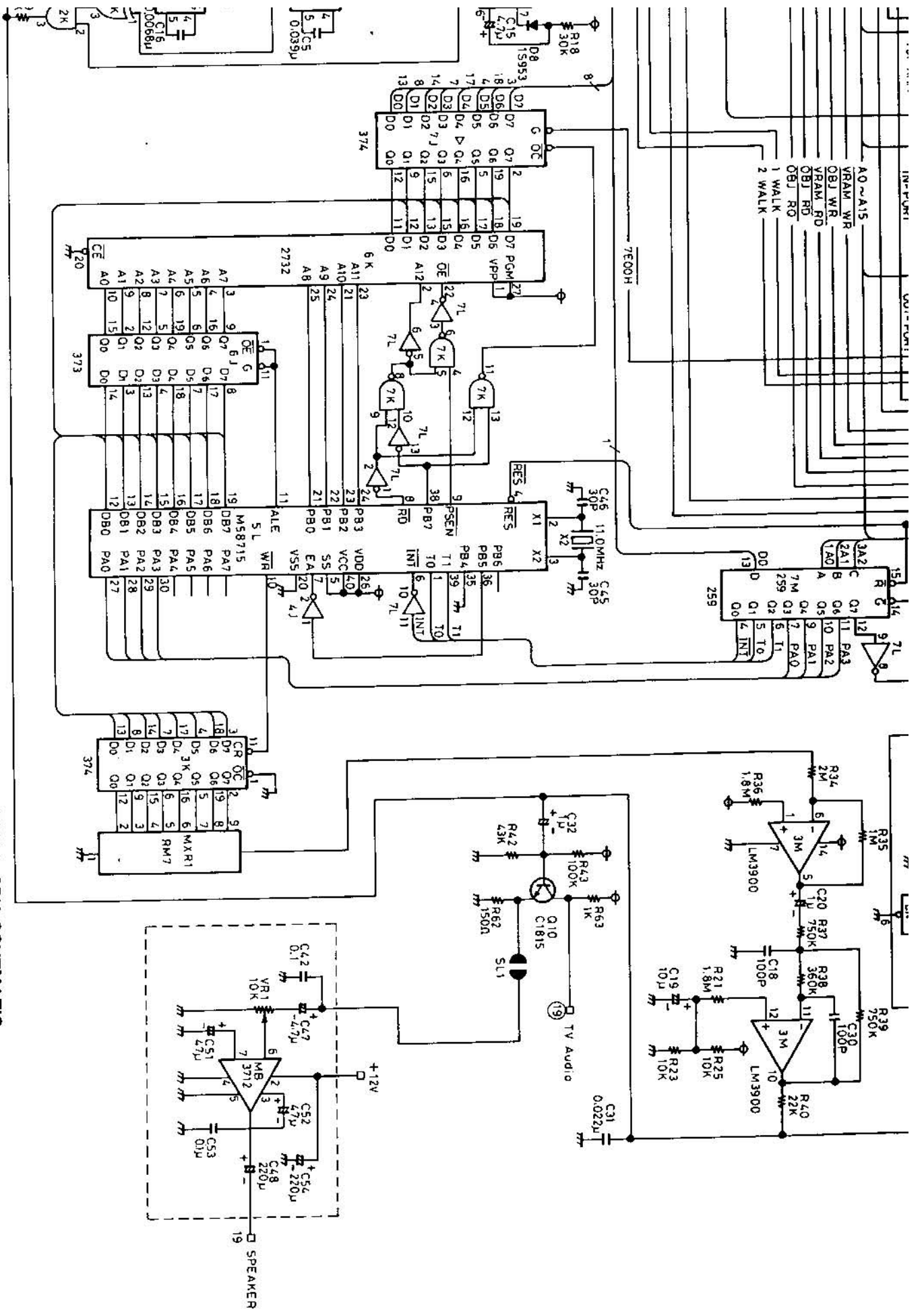
CMP SYNC

STNC

CADR 7  
CADR 6  
CADR 5  
CADR 4  
CADR 3  
CADR 2  
CADR 1  
CADR 0

COUNTER 1  
COUNTER 2

RES



**E** TMA1-CPU SCHEMATIC  
 ©1983 Nintendo of America Inc.